

S L I M S T Y L E

MODER LEVER SETS
BY Karcher Design



100%
MADE IN GERMANY

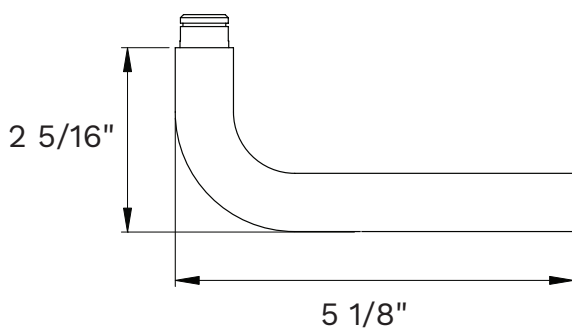
 **BARTELS**

DOORS & HARDWARE
MADE IN GERMANY

E100 L-Form



- Door Thickness: 1 9/16" – 1 11/16"
- Finish: Stainless Steel Matte
- color code (71)
- 3/4" Diameter handle
- 2 1/8" Diameter rosette
- 3/8" Rosette profile
- For use with Bartels magnetic mortise



Lock Options



BAD-Privacy

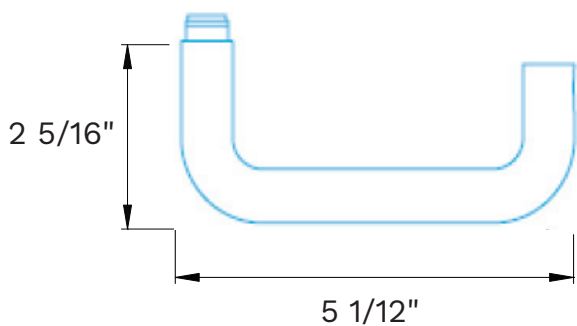


PZ-Security

E200 U-Form



- Door Thickness: 1 9/16" – 1 11/16"
- Finish: Stainless Steel Matte
- color code (71)
- 3/4" Diameter handle
- 2 1/8" Diameter rosette
- 3/8" Rosette profile
- For use with Bartels magnetic mortise



Lock Options



BAD-Privacy

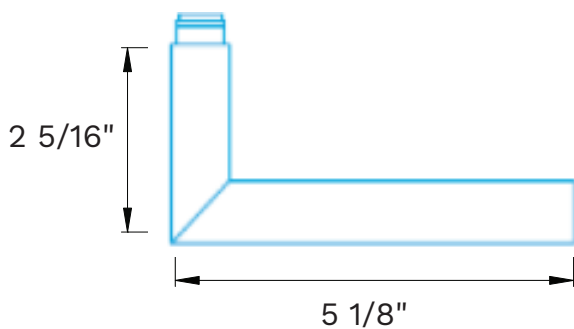


PZ-Security

E300 K-Form



- Door Thickness: 1 9/16" – 1 11/16"
- Finish: Stainless Steel Matte
- color code (71)
- 3/4" Diameter handle
- 2 1/8" Diameter rosette
- 3/8" Rosette profile
- For use with Bartels magnetic mortise



Lock Options



BAD-Privacy

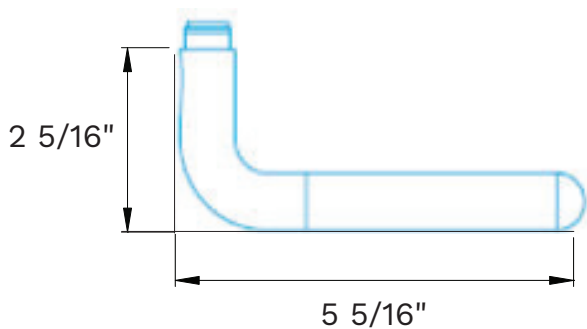


PZ-Security

E600 L-Form



- Door Thickness: 1 9/16" – 1 11/16"
- Finish: Stainless Steel Matte
- color code (71)
- 13/16" Diameter handle
- 2 1/8" Diameter rosette
- 3/8" Rosette profile
- For use with Bartels magnetic mortise



Lock Options



BAD-Privacy

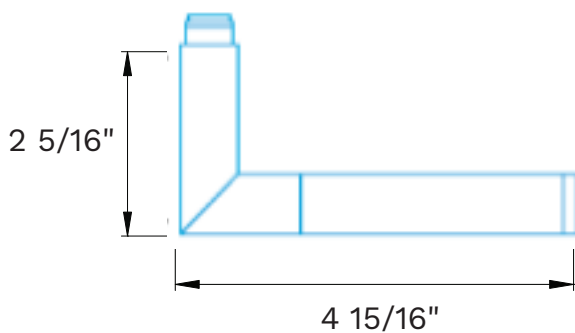


PZ-Security

E700 K-Form



- Door Thickness: 1 9/16" – 1 11/16"
- Finish: Stainless Steel Matte
- color code (71)
- 13/16" Diameter handle
- 2 1/8" Diameter rosette
- 3/8" Rosette profile
- For use with Bartels magnetic mortise



Lock Options



BAD-Privacy

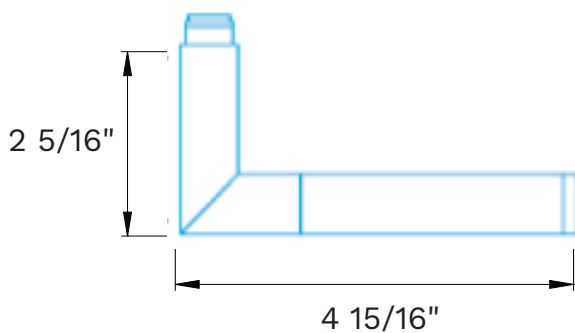


PZ-Security

E800Q



- Door Thickness: 1 9/16" – 1 11/16"
- Finish: Stainless Steel Matte
- color code (71)
- 3/4" Diameter handle
- 2 1/8" Diameter rosette
- 3/8" Rosette profile
- For use with Bartels magnetic mortise



Lock Options



BAD-Privacy



PZ-Security



Need More Information

- CALL US : 954.924.6137
- EMAIL US : Sales@BartelsDoors.com
- Showroom : 1901 Tigertail Blvd, Dania Beach, FL 33004