

German Edge

MODEL NUM: TMC.GE.735x2360.L.RAL 9016 [LEFT HINGE]

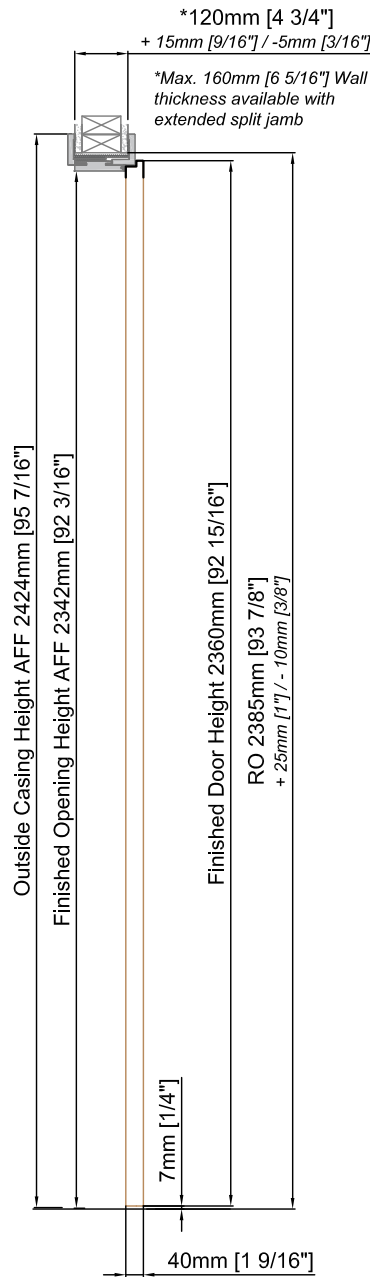
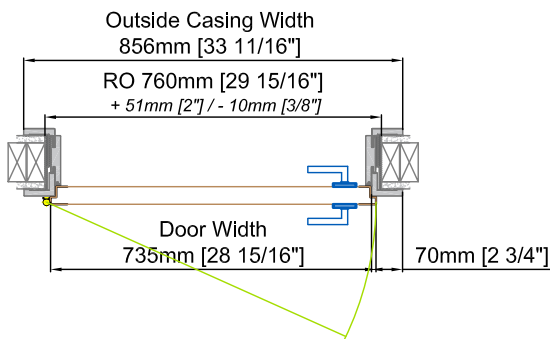
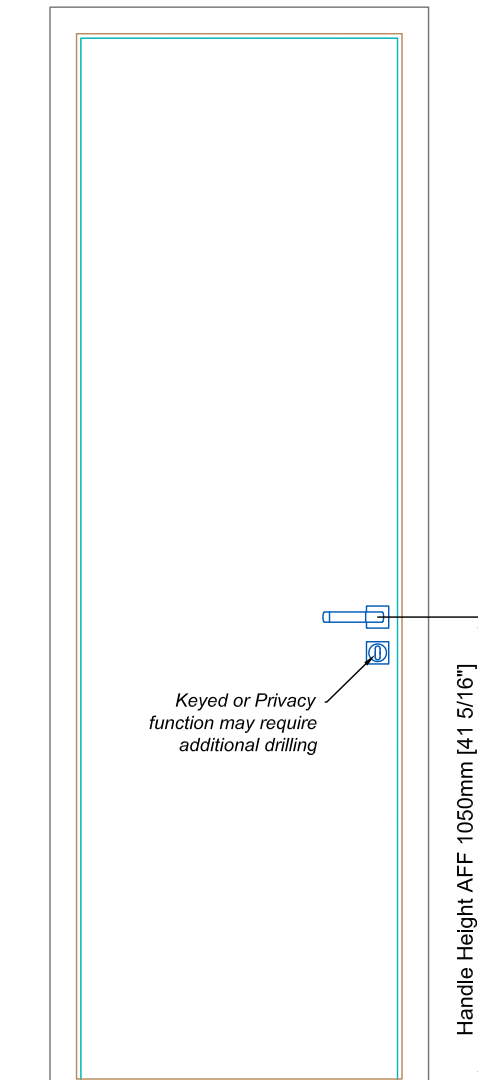
Min. RO Width 750mm [29 1/2"] - Max. 811mm [31 15/16"]
 Min. RO Height 2375mm [93 1/2"] - 2410mm [94 7/8"]
 *Wall thickness 115mm [4 1/2"] - 135mm [5 5/16"]



TRADE MARK
COLLECTION

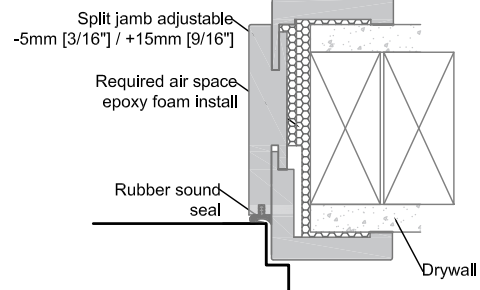
www.bartelsdoors.com / trademark
 Contact Phone: 954.924.6137

CUSTOMER:
ESTIMATE NUM.:
PROJECT NAME:
PREPARED BY: C. ANDRYKA
ORIGINAL PREPARED DATE: 07.JULY.2020
Please carefully review drawings for accuracy including but not limited to the dimensions, hinge or sliding direction, handle models, door styles and finishes.
Copyright Bartels Doors Inc., all rights reserved. Reproduction or other use of these designs without written consent from Bartels Doors Inc. is prohibited.
technical drawings are subject to change without notice. All millimeter dimensions are exact and supersede inch conversions.



**7mm [1/4"] undercut includes min. 3mm [1/8"] gap at floor for seal/caulking below jamb legs

Door Detail



Technical drawings must be verified and approved in written form. BARTELS will not assume liability for the accuracy of these drawings!

Signature: _____	Date: _____
------------------	-------------

German Edge

MODEL NUM: TMC.GE.735x2110.L.RAL 9016 [LEFT HINGE]

Min. RO Width 750mm [29 1/2"] - Max. 811mm [31 15/16"]
 Min. RO Height 2125mm [83 11/16"] - 2160mm [85 1/16"]
 *Wall thickness 115mm [4 1/2"] - 135mm [5 5/16"]

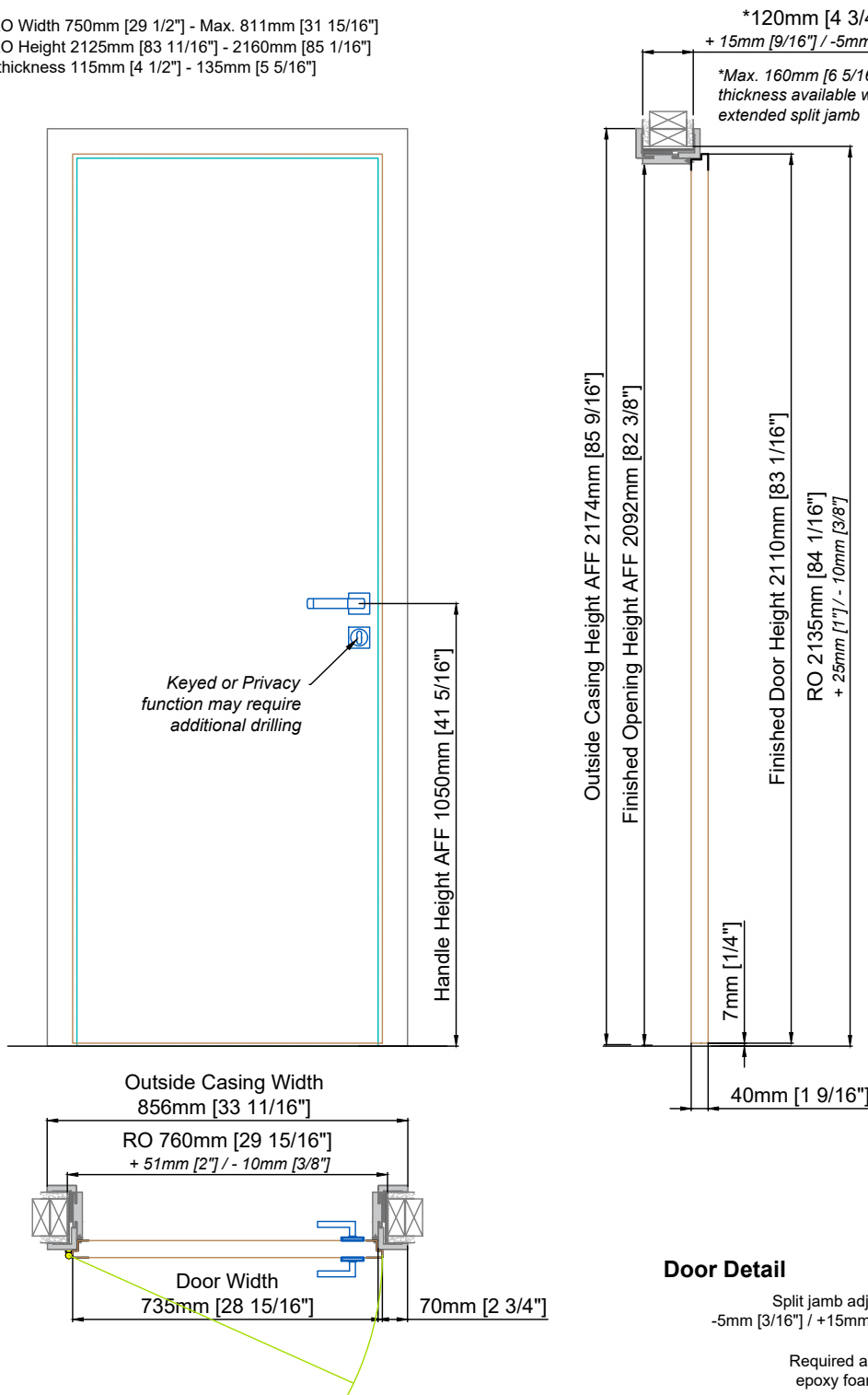


TRADE MARK
COLLECTION

www.bartelsdoors.com / trademark
 Contact Phone: 954.924.6137

CUSTOMER:
ESTIMATE NUM.:
PROJECT NAME:
PREPARED BY: C. ANDRYKA
ORIGINAL PREPARED DATE: 07.JULY.2020
Please carefully review drawings for accuracy including but not limited to the dimensions, hinge or sliding direction, handle models, door styles and finishes.
Copyright Bartels Doors Inc., all rights reserved. Reproduction or other use of these designs without written consent from Bartels Doors Inc. is prohibited.
technical drawings are subject to change without notice. All millimeter dimensions are exact and supersede inch conversions.

**7mm [1/4"] undercut includes min. 3mm [1/8"] gap at floor for seal/caulking below jamb legs



Technical drawings must be verified and approved in written form.
 BARTELS will not assume liability for the accuracy of these drawings!

Signature: _____	Date: _____
------------------	-------------

German Edge

MODEL NUM: TMC.GE.735x2110.R.RAL 9016 [RIGHT HINGE]

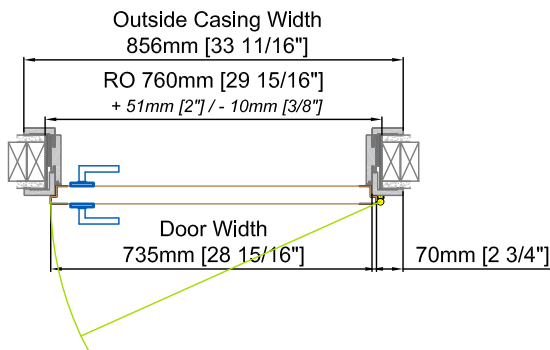
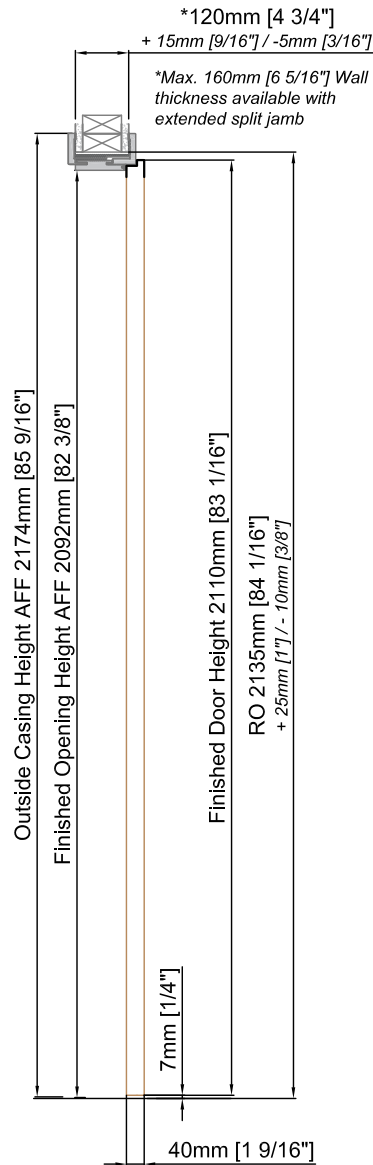
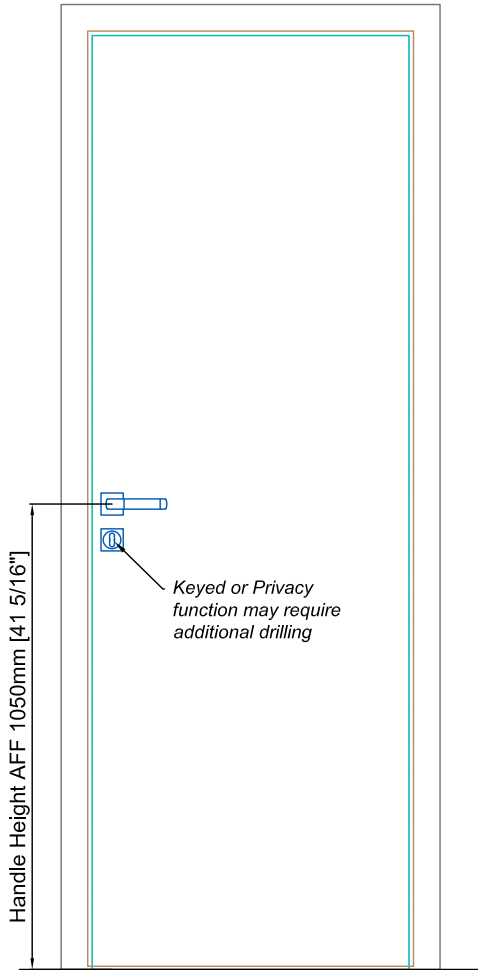
Min. RO Width 750mm [29 1/2"] - Max. 811mm [31 15/16"]
 Min. RO Height 2125mm [83 11/16"] - 2160mm [85 1/16"]
 *Wall thickness 115mm [4 1/2"] - 135mm [5 5/16"]



TRADE MARK
COLLECTION

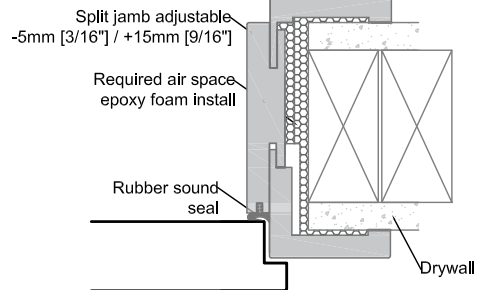
www.bartelsdoors.com / trademark
 Contact Phone: 954.924.6137

CUSTOMER:
ESTIMATE NUM.:
PROJECT NAME:
PREPARED BY: C. ANDRYKA
ORIGINAL PREPARED DATE: 07.JULY.2020
Please carefully review drawings for accuracy including but not limited to the dimensions, hinge or sliding direction, handle models, door styles and finishes.
Copyright Bartels Doors Inc., all rights reserved. Reproduction or other use of these designs without written consent from Bartels Doors Inc. is prohibited.
technical drawings are subject to change without notice. All millimeter dimensions are exact and supersede inch conversions.



**7mm [1/4"] undercut includes min. 3mm [1/8"] gap at floor for seal/caulking below jamb legs

Door Detail



Technical drawings must be verified and approved in written form.
 BARTELS will not assume liability for the accuracy of these drawings!

Signature: _____	Date: _____
------------------	-------------

German Edge

MODEL NUM: TMC.GE.735x2360.R.RAL 9016 [RIGHT HINGE]

Min. RO Width 750mm [29 1/2"] - Max. 811mm [31 15/16"]

Min. RO Height 2375mm [93 1/2"] - 2410mm [94 7/8"]

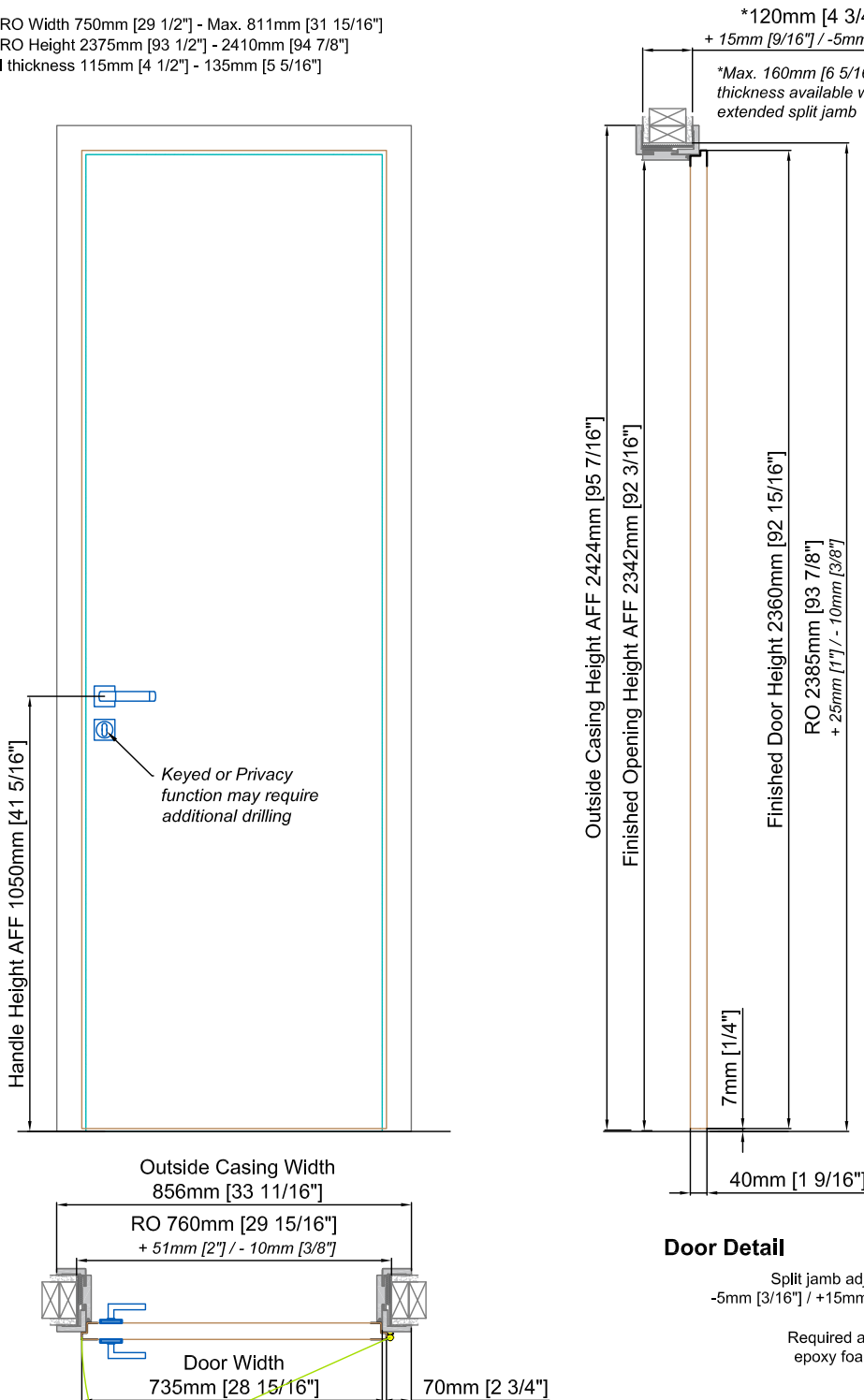
*Wall thickness 115mm [4 1/2"] - 135mm [5 5/16"]



TRADE MARK
COLLECTION

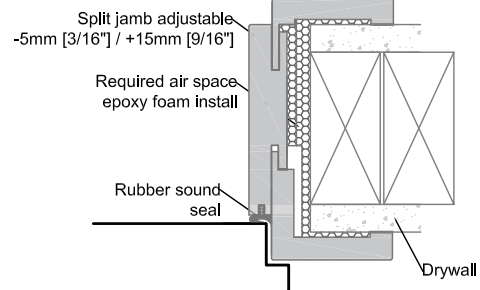
www.bartelsdoors.com / trademark
Contact Phone: 954.924.6137

CUSTOMER:
ESTIMATE NUM.:
PROJECT NAME:
PREPARED BY: C. ANDRYKA
ORIGINAL PREPARED DATE: 07.JULY.2020
Please carefully review drawings for accuracy including but not limited to the dimensions, hinge or sliding direction, handle models, door styles and finishes.
Copyright Bartels Doors Inc., all rights reserved. Reproduction or other use of these designs without written consent from Bartels Doors Inc. is prohibited.
technical drawings are subject to change without notice. All millimeter dimensions are exact and supersede inch conversions.



**7mm [1/4"] undercut includes min. 3mm [1/8"] gap at floor for seal/caulking below jamb legs

Door Detail



Technical drawings must be verified and approved in written form. BARTELS will not assume liability for the accuracy of these drawings!

Signature: _____	Date: _____
------------------	-------------

German Edge

MODEL NUM: TMC.GE.860x2360.L.RAL 9016 [LEFT HINGE]

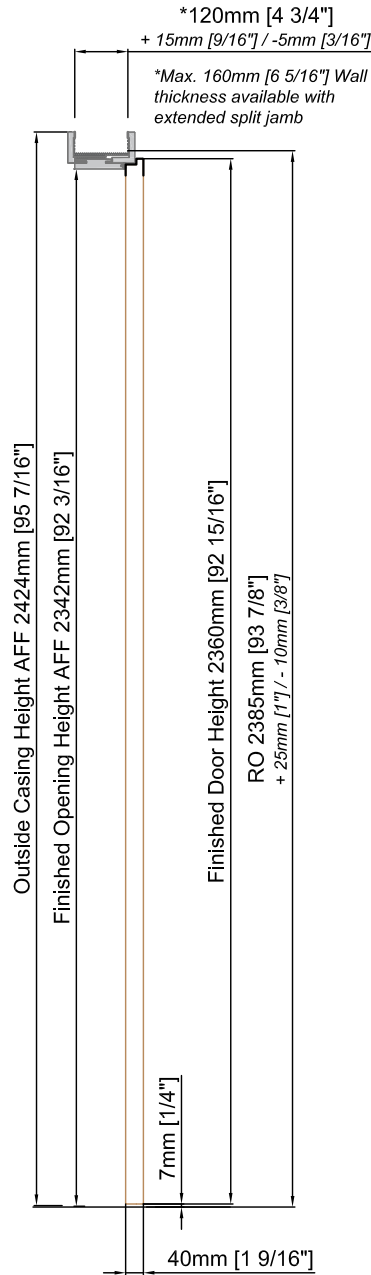
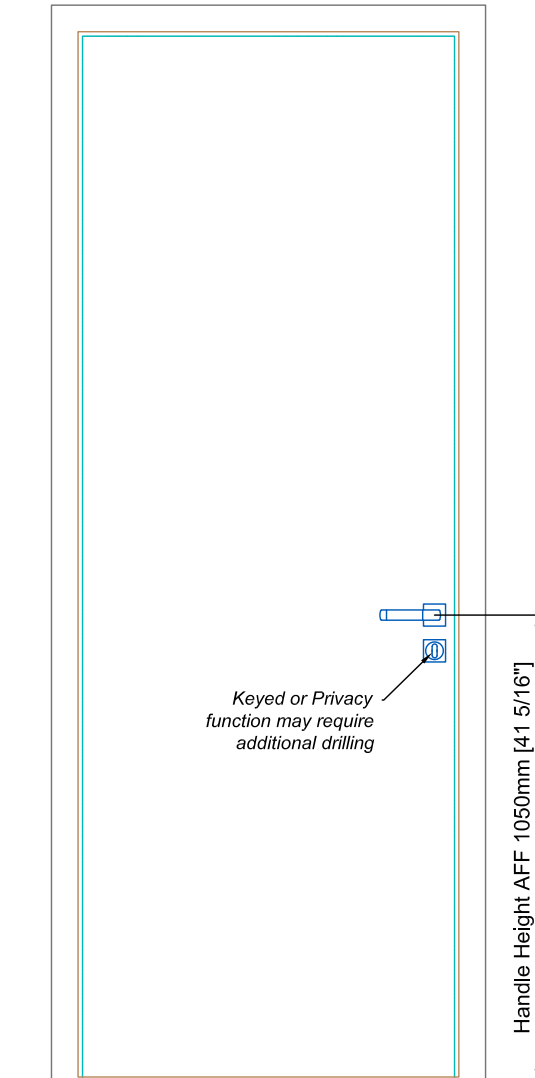
RO Width 875mm [34 7/16"] - 936mm [36 7/8"]
 Min. RO Height 2375mm [93 1/2"] - 2410mm [94 7/8"]
 *Wall thickness 115mm [4 1/2"] - 135mm [5 5/16"]



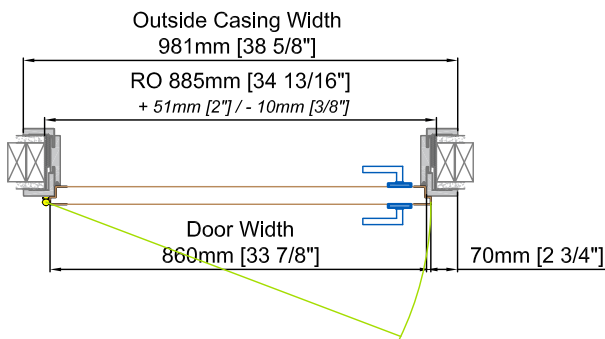
TRADE MARK
COLLECTION

www.bartelsdoors.com / trademark
 Contact Phone: 954.924.6137

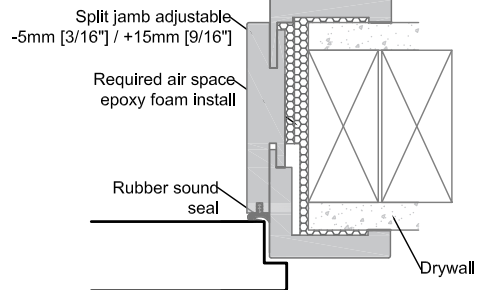
CUSTOMER:
ESTIMATE NUM.:
PROJECT NAME:
PREPARED BY: C. ANDRYKA
ORIGINAL PREPARED DATE: 07.JULY.2020
Please carefully review drawings for accuracy including but not limited to the dimensions, hinge or sliding direction, handle models, door styles and finishes.
Copyright Bartels Doors Inc., all rights reserved. Reproduction or other use of these designs without written consent from Bartels Doors Inc. is prohibited.
technical drawings are subject to change without notice. All millimeter dimensions are exact and supersede inch conversions.



**7mm [1/4"] undercut includes min. 3mm [1/8"] gap at floor for seal/caulking below jamb legs



Door Detail



Technical drawings must be verified and approved in written form.
 BARTELS will not assume liability for the accuracy of these drawings!

Signature: _____	Date: _____
------------------	-------------

German Edge

MODEL NUM: TMC.GE.860x2110.L.RAL 9016 [LEFT HINGE]

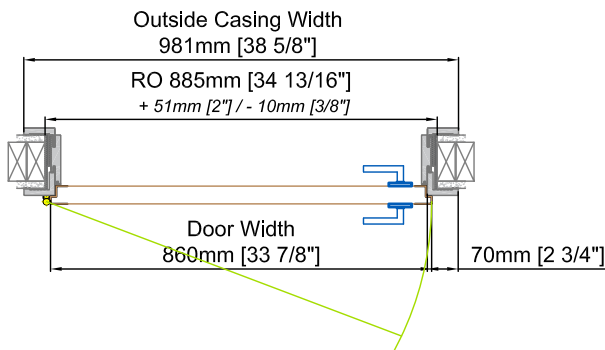
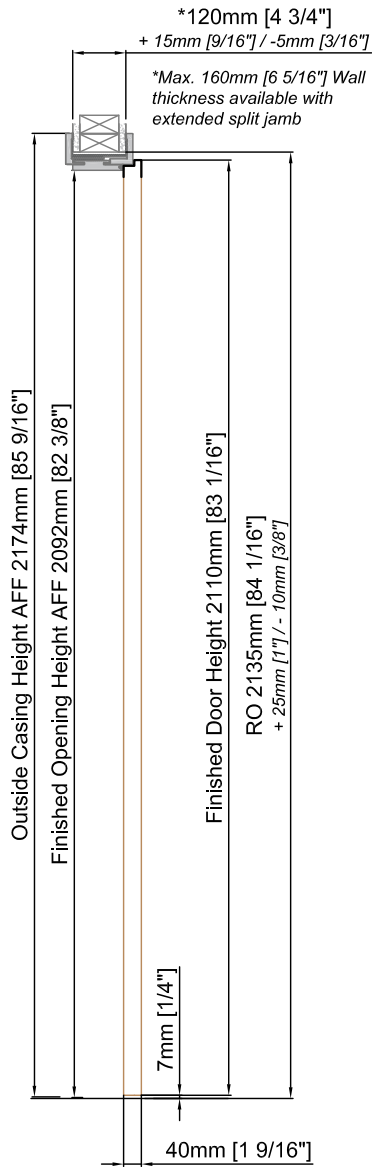
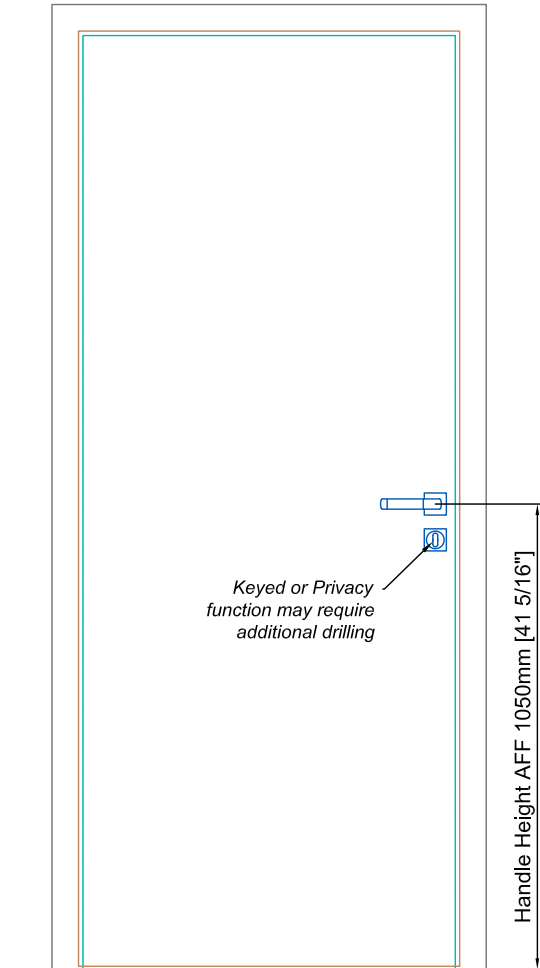
RO Width 875mm [34 7/16"] - 936mm [36 7/8"]
 Min. RO Height 2125mm [83 11/16"] - 2160mm [85 1/16"]
 *Wall thickness 115mm [4 1/2"] - 135mm [5 5/16"]



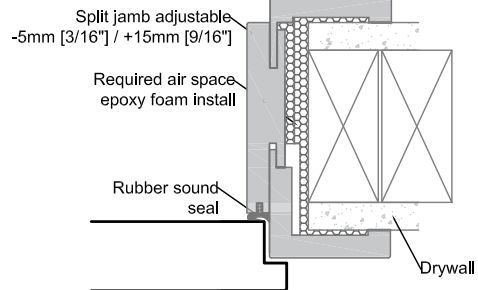
TRADE MARK
COLLECTION

www.bartelsdoors.com / trademark
 Contact Phone: 954.924.6137

CUSTOMER:
ESTIMATE NUM.:
PROJECT NAME:
PREPARED BY: C. ANDRYKA
ORIGINAL PREPARED DATE: 07.JULY.2020
Please carefully review drawings for accuracy including but not limited to the dimensions, hinge or sliding direction, handle models, door styles and finishes.
Copyright Bartels Doors Inc., all rights reserved. Reproduction or other use of these designs without written consent from Bartels Doors Inc. is prohibited.
technical drawings are subject to change without notice. All millimeter dimensions are exact and supersede inch conversions.



Door Detail



**7mm [1/4"] undercut includes min. 3mm [1/8"] gap at floor for seal/caulking below jamb legs

Technical drawings must be verified and approved in written form.
 BARTELS will not assume liability for the accuracy of these drawings!

Signature: _____	Date: _____
------------------	-------------

German Edge

MODEL NUM: TMC.GE.860x2110.R.RAL 9016 [RIGHT HINGE]

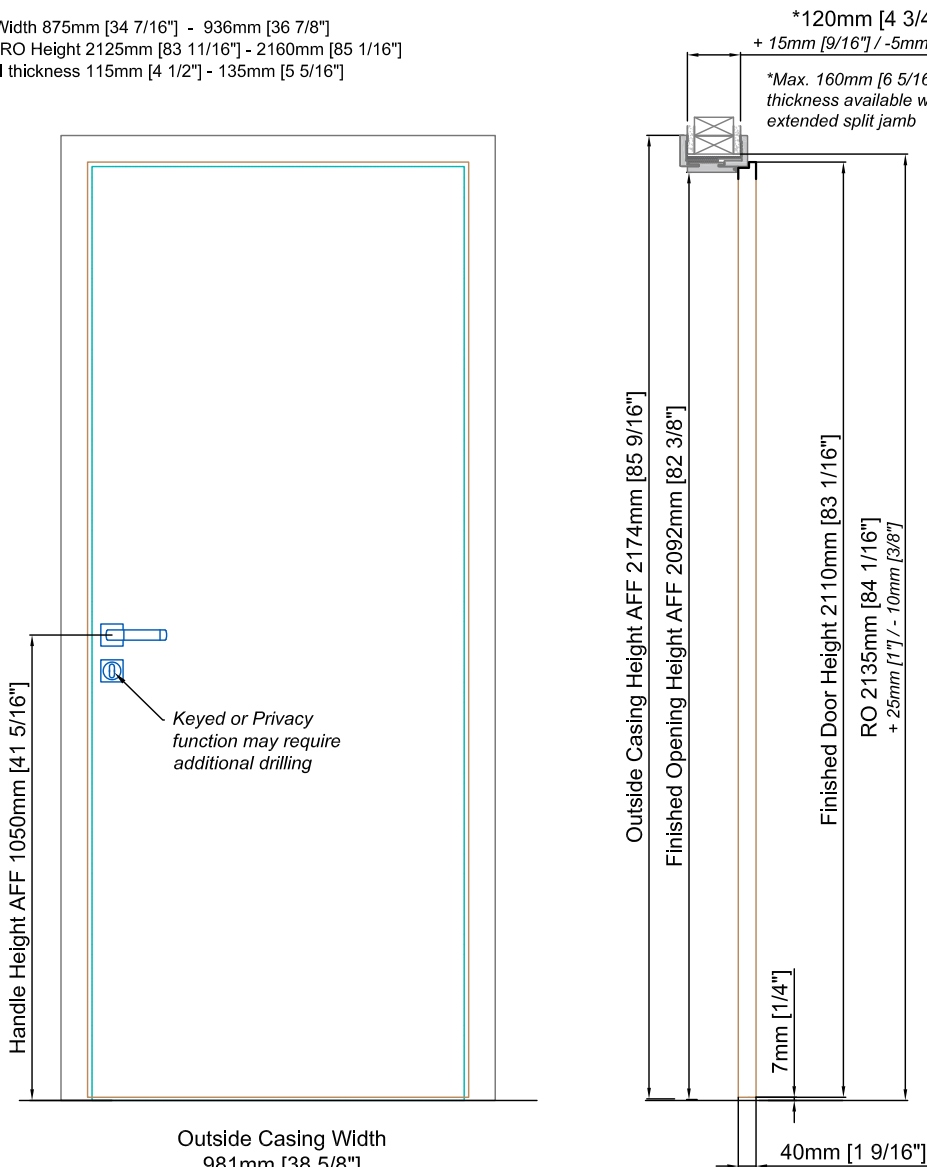
RO Width 875mm [34 7/16"] - 936mm [36 7/8"]
 Min. RO Height 2125mm [83 11/16"] - 2160mm [85 1/16"]
 *Wall thickness 115mm [4 1/2"] - 135mm [5 5/16"]



TRADE MARK
COLLECTION

www.bartelsdoors.com / trademark
 Contact Phone: 954.924.6137

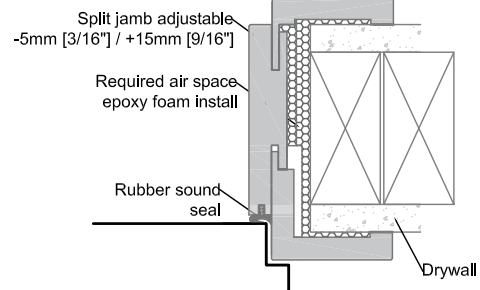
CUSTOMER:
ESTIMATE NUM.:
PROJECT NAME:
PREPARED BY: C. ANDRYKA
ORIGINAL PREPARED DATE: 07.JULY.2020
Please carefully review drawings for accuracy including but not limited to the dimensions, hinge or sliding direction, handle models, door styles and finishes.
Copyright Bartels Doors Inc., all rights reserved. Reproduction or other use of these designs without written consent from Bartels Doors Inc. is prohibited.
technical drawings are subject to change without notice. All millimeter dimensions are exact and supersede inch conversions.



**7mm [1/4"] undercut includes min. 3mm [1/8"] gap at floor for seal/caulking below jamb legs

**7mm [1/4"] undercut includes min. 3mm [1/8"] gap at floor for seal/caulking below jamb legs

Door Detail



Technical drawings must be verified and approved in written form. BARTELS will not assume liability for the accuracy of these drawings!

Signature: _____	Date: _____
------------------	-------------

German Edge

MODEL NUM: TMC.GE.860x2360.L.RAL 9016 [LEFT HINGE]

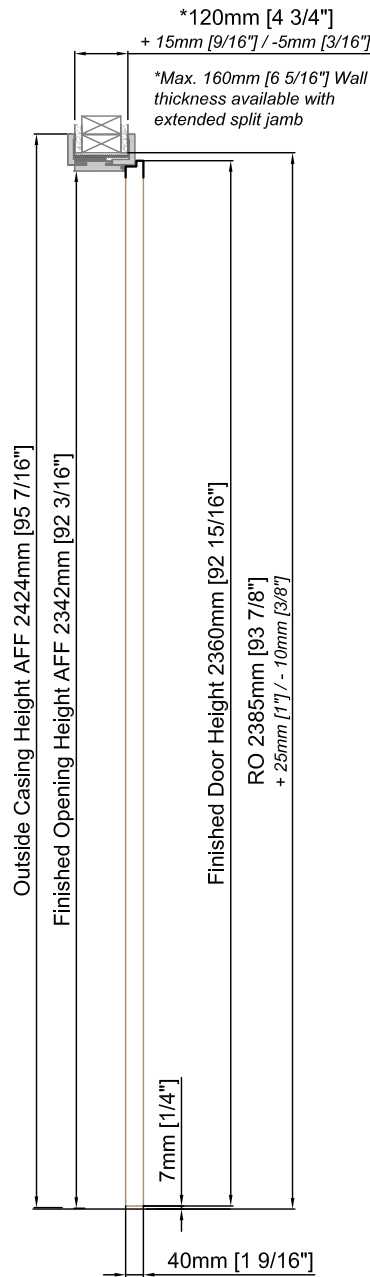
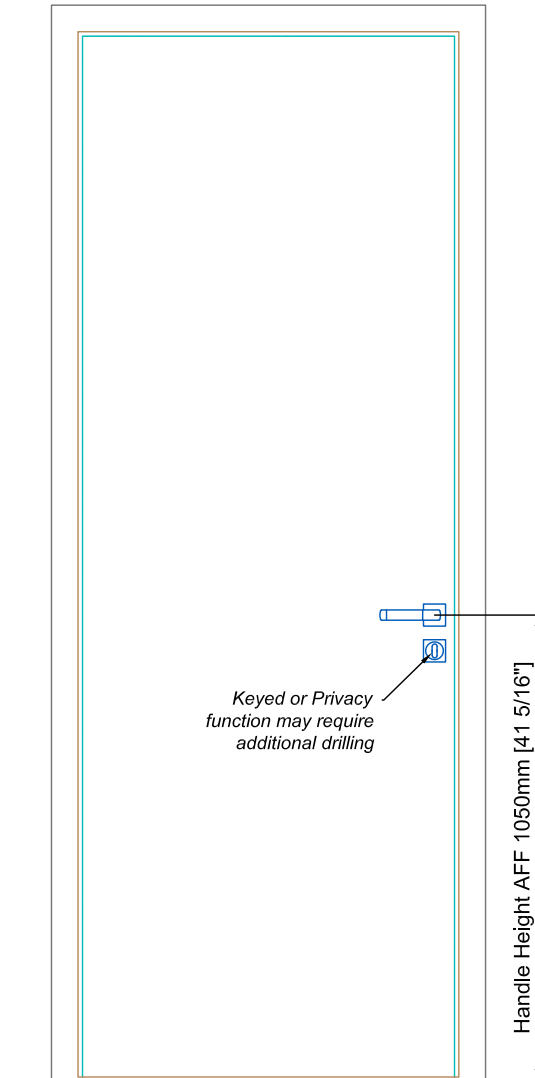
RO Width 875mm [34 7/16"] - 936mm [36 7/8"]
 Min. RO Height 2375mm [93 1/2"] - 2410mm [94 7/8"]
 *Wall thickness 115mm [4 1/2"] - 135mm [5 5/16"]



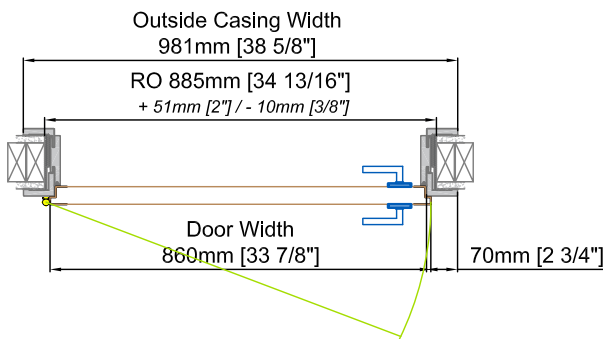
TRADE MARK
 COLLECTION

www.bartelsdoors.com / trademark
 Contact Phone: 954.924.6137

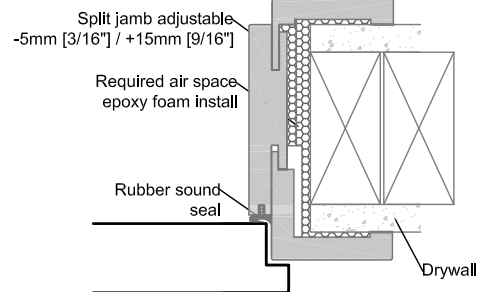
CUSTOMER:
ESTIMATE NUM.:
PROJECT NAME:
PREPARED BY: C. ANDRYKA
ORIGINAL PREPARED DATE: 07.JULY.2020
Please carefully review drawings for accuracy including but not limited to the dimensions, hinge or sliding direction, handle models, door styles and finishes.
Copyright Bartels Doors Inc., all rights reserved. Reproduction or other use of these designs without written consent from Bartels Doors Inc. is prohibited.
technical drawings are subject to change without notice. All millimeter dimensions are exact and supersede inch conversions.



**7mm [1/4"] undercut includes min. 3mm [1/8"] gap at floor for seal/caulking below jamb legs



Door Detail



Technical drawings must be verified and approved in written form. BARTELS will not assume liability for the accuracy of these drawings!

Signature: _____	Date: _____
------------------	-------------

German Edge

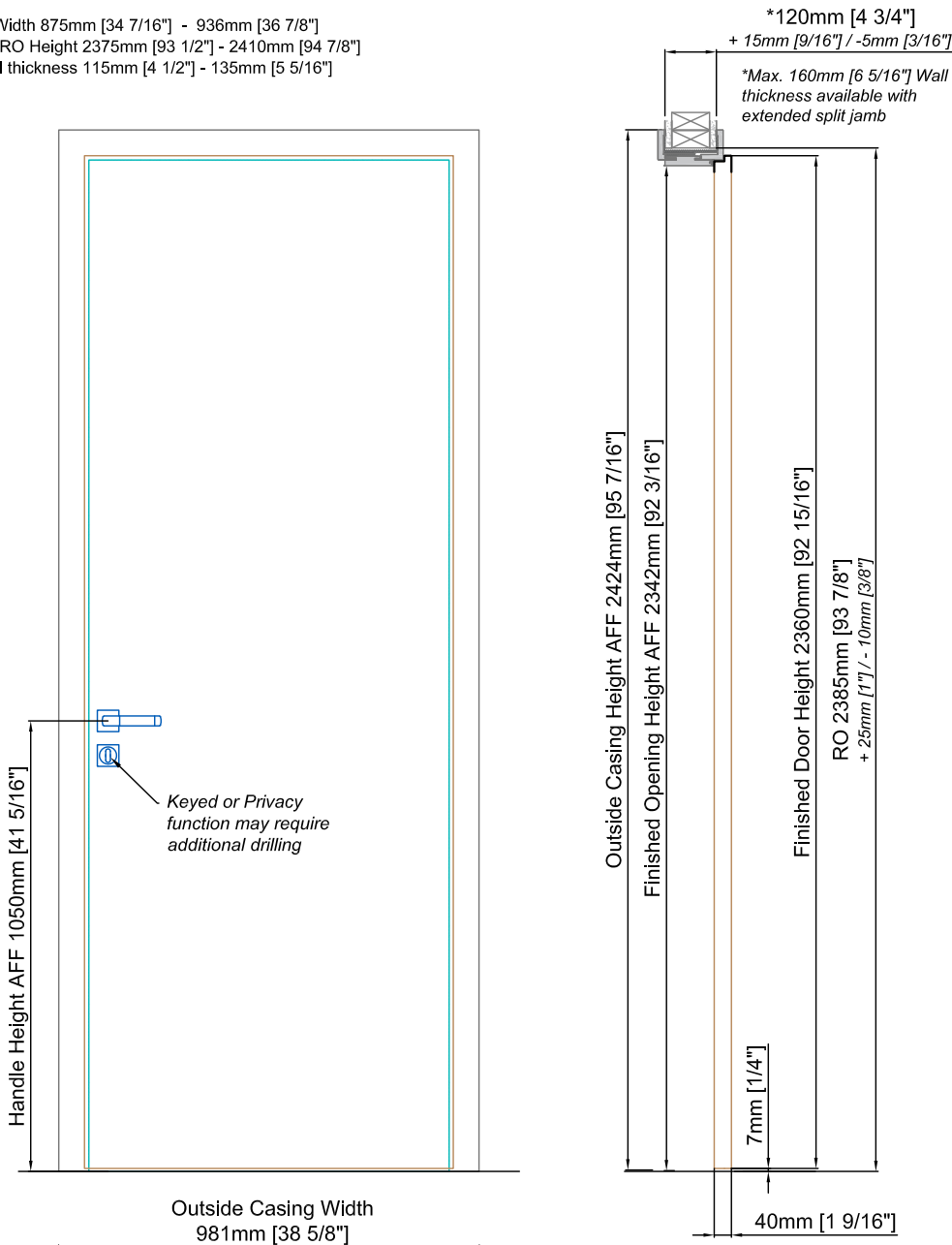
MODEL NUM: TMC.GE.860x2360.R.RAL 9016 [RIGHT HINGE]

RO Width 875mm [34 7/16"] - 936mm [36 7/8"]
 Min. RO Height 2375mm [93 1/2"] - 2410mm [94 7/8"]
 *Wall thickness 115mm [4 1/2"] - 135mm [5 5/16"]



TRADE MARK
COLLECTION

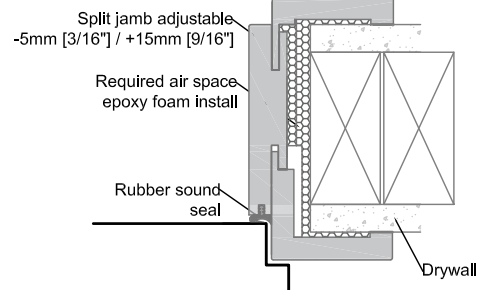
www.bartelsdoors.com / trademark
 Contact Phone: 954.924.6137



CUSTOMER:
ESTIMATE NUM.:
PROJECT NAME:
PREPARED BY: C. ANDRYKA
ORIGINAL PREPARED DATE: 07.JULY.2020
Please carefully review drawings for accuracy including but not limited to the dimensions, hinge or sliding direction, handle models, door styles and finishes.
Copyright Bartels Doors Inc., all rights reserved. Reproduction or other use of these designs without written consent from Bartels Doors Inc. is prohibited.
technical drawings are subject to change without notice. All millimeter dimensions are exact and supersede inch conversions.

**7mm [1/4"] undercut includes min. 3mm [1/8"] gap at floor for seal/caulking below jamb legs

Door Detail



Technical drawings must be verified and approved in written form. BARTELS will not assume liability for the accuracy of these drawings!

Signature: _____	Date: _____
------------------	-------------

German Edge

MODEL NUM: TMC.GE.985x2110.L.RAL 9016 [LEFT HINGE]

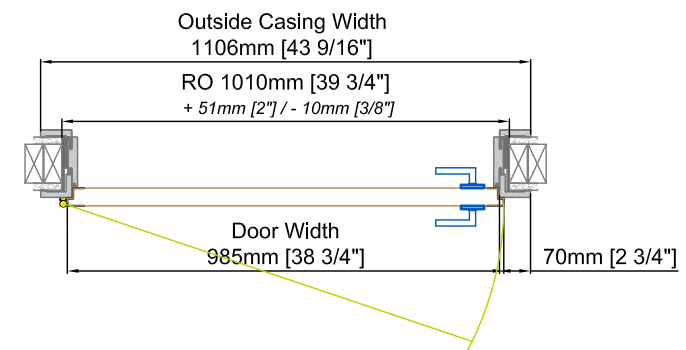
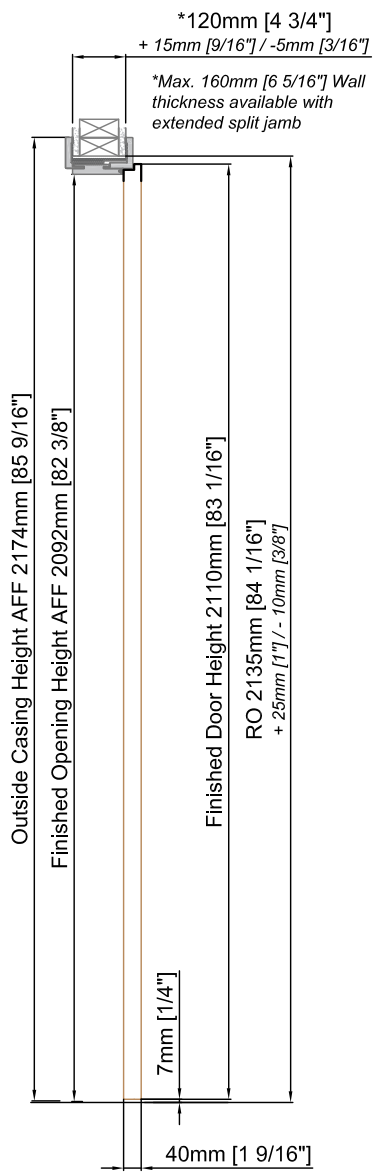
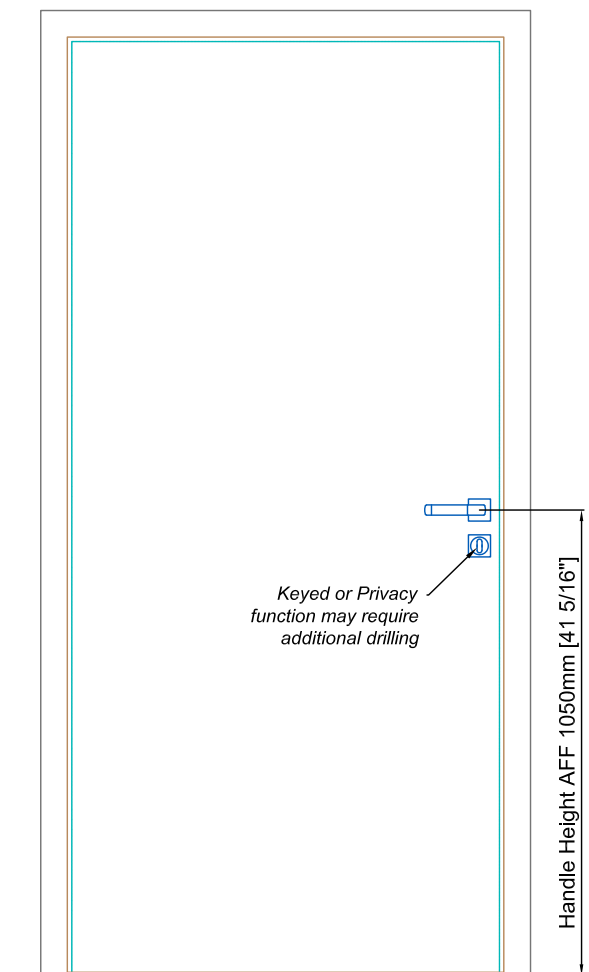
RO Width 1000mm [39 3/8"] - 1061mm [41 3/4"]
 Min. RO Height 2125mm [83 11/16"] - 2160mm [85 1/16"]
 *Wall thickness 115mm [4 1/2"] - 135mm [5 5/16"]



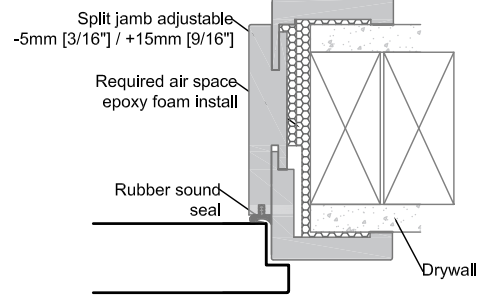
TRADE MARK
COLLECTION

www.bartelsdoors.com / trademark
 Contact Phone: 954.924.6137

CUSTOMER:
ESTIMATE NUM.:
PROJECT NAME:
PREPARED BY: C. ANDRYKA
ORIGINAL PREPARED DATE: 07.JULY.2020
Please carefully review drawings for accuracy including but not limited to the dimensions, hinge or sliding direction, handle models, door styles and finishes.
Copyright Bartels Doors Inc., all rights reserved. Reproduction or other use of these designs without written consent from Bartels Doors Inc. is prohibited.
technical drawings are subject to change without notice. All millimeter dimensions are exact and supersede inch conversions.



Door Detail



**7mm [1/4"] undercut includes min. 3mm [1/8"] gap at floor for seal/caulking below jamb legs

Technical drawings must be verified and approved in written form. BARTELS will not assume liability for the accuracy of these drawings!

Signature: _____	Date: _____
------------------	-------------

German Edge

MODEL NUM: TMC.GE.985x2110.R.RAL 9016 [RIGHT HINGE]

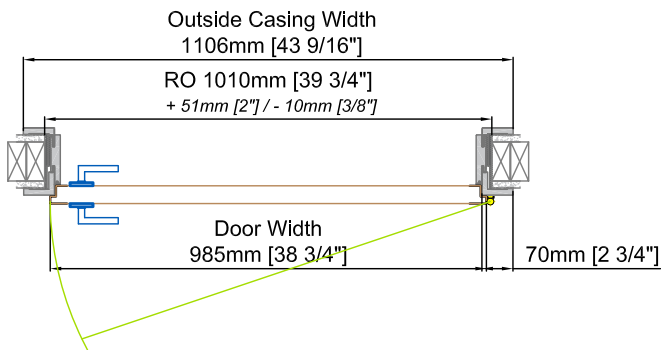
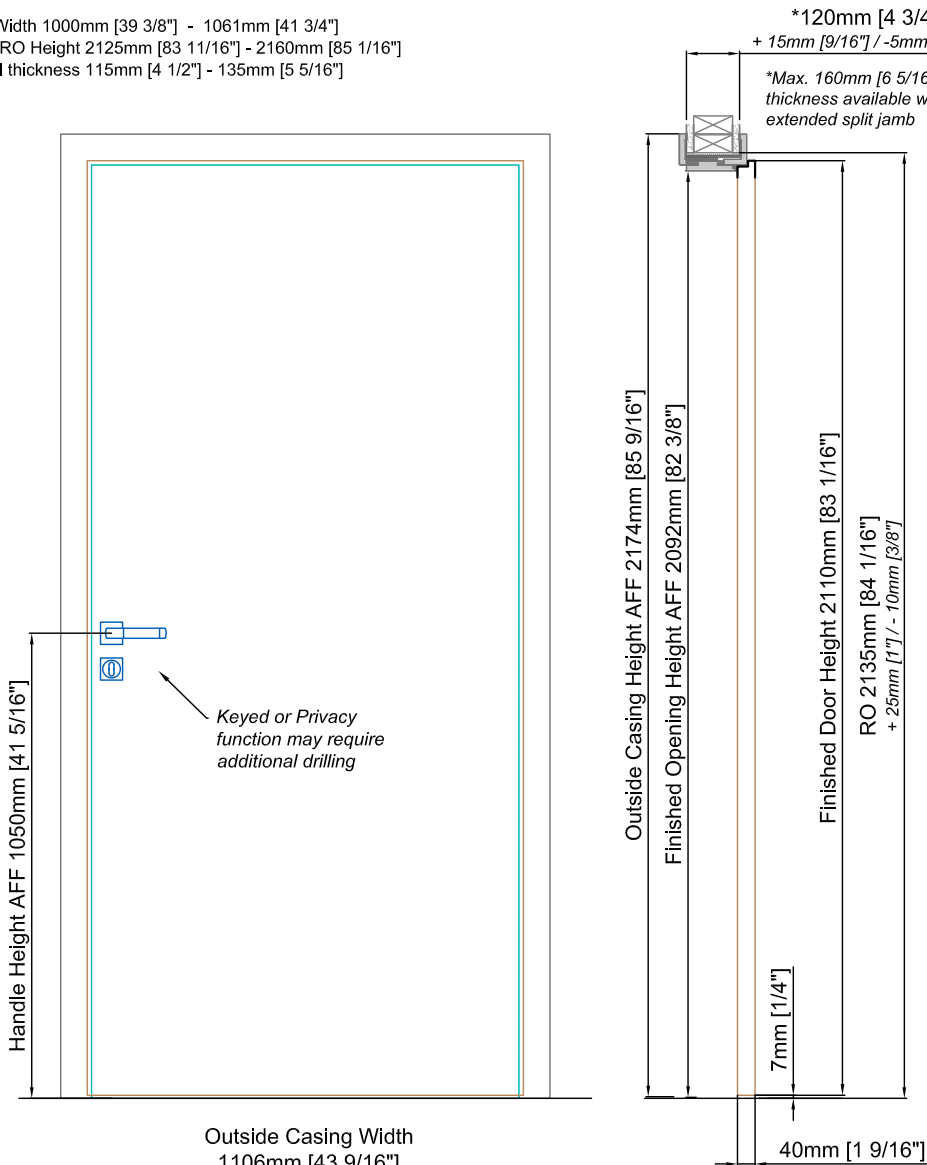
RO Width 1000mm [39 3/8"] - 1061mm [41 3/4"]
 Min. RO Height 2125mm [83 11/16"] - 2160mm [85 1/16"]
 *Wall thickness 115mm [4 1/2"] - 135mm [5 5/16"]



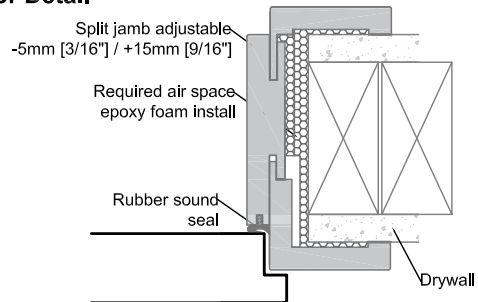
TRADE MARK
COLLECTION

www.bartelsdoors.com / trademark
 Contact Phone: 954.924.6137

CUSTOMER:
ESTIMATE NUM.:
PROJECT NAME:
PREPARED BY: C. ANDRYKA
ORIGINAL PREPARED DATE: 07.JULY.2020
Please carefully review drawings for accuracy including but not limited to the dimensions, hinge or sliding direction, handle models, door styles and finishes.
Copyright Bartels Doors Inc., all rights reserved. Reproduction or other use of these designs without written consent from Bartels Doors Inc. is prohibited.
technical drawings are subject to change without notice. All millimeter dimensions are exact and supersede inch conversions.



Door Detail



**7mm [1/4"] undercut includes min. 3mm [1/8"] gap at floor for seal/caulking below jamb legs

Technical drawings must be verified and approved in written form. BARTELS will not assume liability for the accuracy of these drawings!

Signature: _____	Date: _____
------------------	-------------

German Edge

MODEL NUM: TMC.GE.985x2360.L.RAL 9016 [LEFT HINGE]

RO Width 1000mm [39 3/8"] - 1061mm [41 3/4"]
 Min. RO Height 2375mm [93 1/2"] - 2410mm [94 7/8"]
 *Wall thickness 115mm [4 1/2"] - 135mm [5 5/16"]

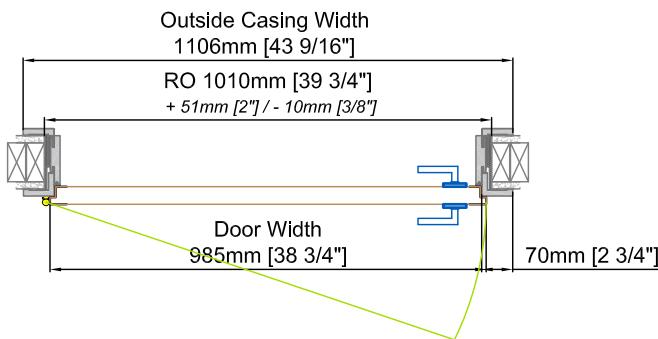
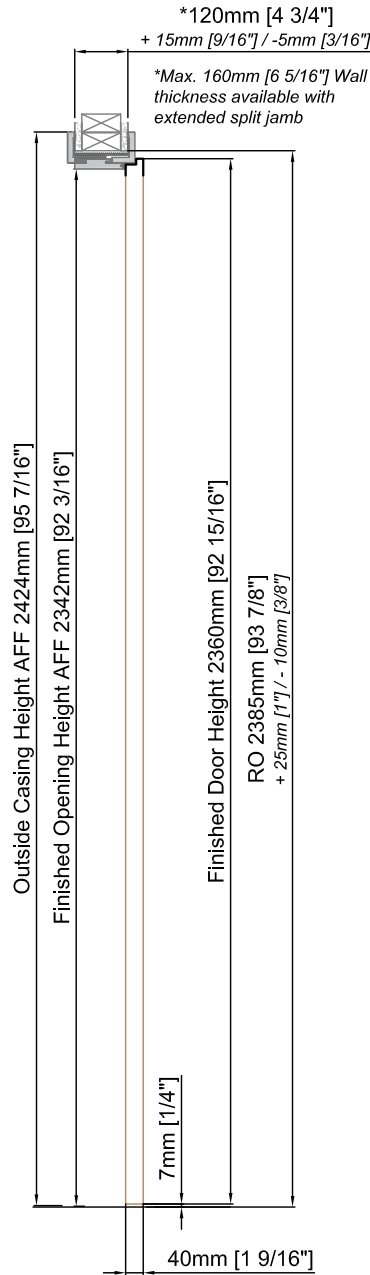
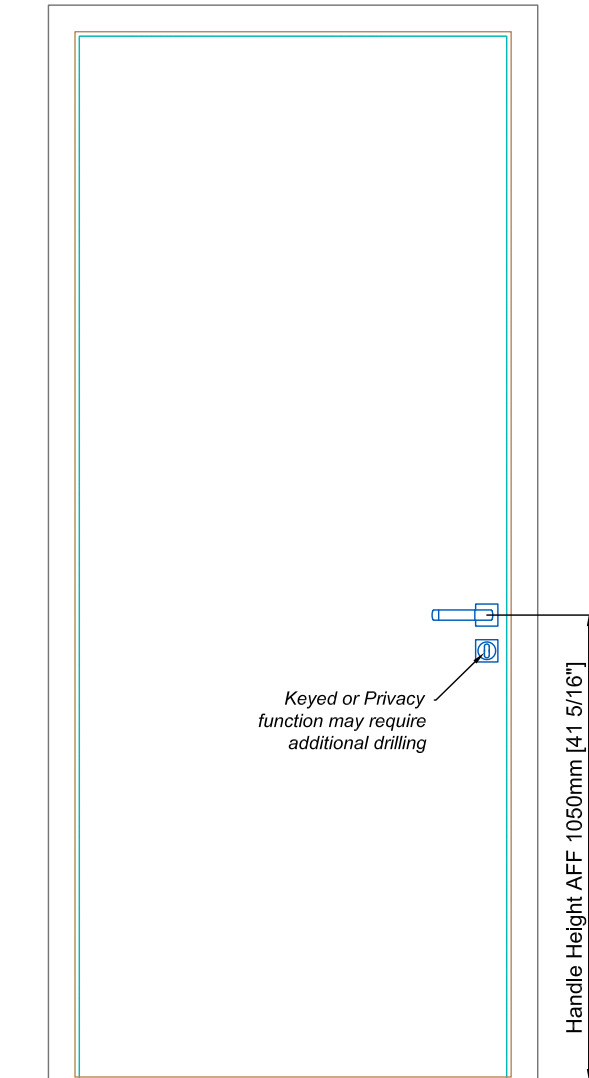


TRADE MARK
COLLECTION

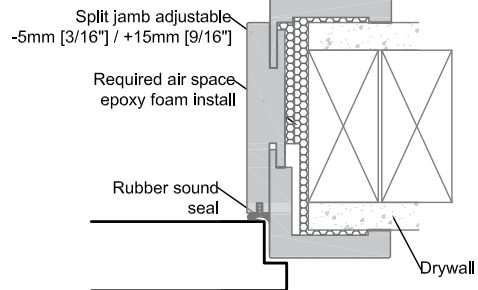
www.bartelsdoors.com / trademark
 Contact Phone: 954.924.6137

CUSTOMER:
ESTIMATE NUM.:
PROJECT NAME:
PREPARED BY: C. ANDRYKA
ORIGINAL PREPARED DATE: 07.JULY.2020
Please carefully review drawings for accuracy including but not limited to the dimensions, hinge or sliding direction, handle models, door styles and finishes.
Copyright Bartels Doors Inc., all rights reserved. Reproduction or other use of these designs without written consent from Bartels Doors Inc. is prohibited.
technical drawings are subject to change without notice. All millimeter dimensions are exact and supersede inch conversions.

**7mm [1/4"] undercut includes min. 3mm [1/8"] gap at floor for seal/caulking below jamb legs



Door Detail



Technical drawings must be verified and approved in written form.
 BARTELS will not assume liability for the accuracy of these drawings!

Signature: _____	Date: _____
------------------	-------------

German Edge

MODEL NUM: TMC.GE.985x2360.R.RAL 9016 [RIGHT HINGE]

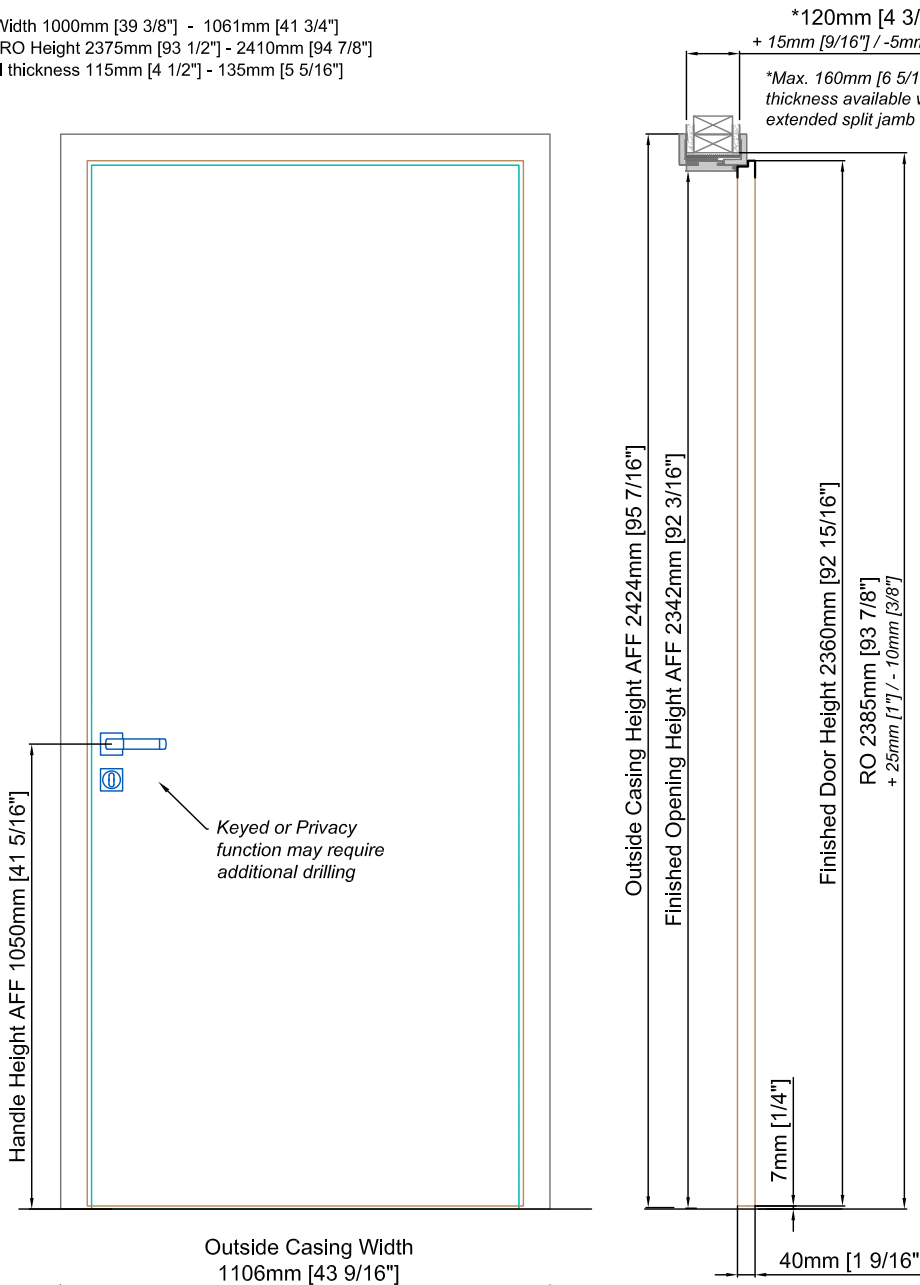
RO Width 1000mm [39 3/8"] - 1061mm [41 3/4"]
 Min. RO Height 2375mm [93 1/2"] - 2410mm [94 7/8"]
 *Wall thickness 115mm [4 1/2"] - 135mm [5 5/16"]



TRADE MARK
COLLECTION

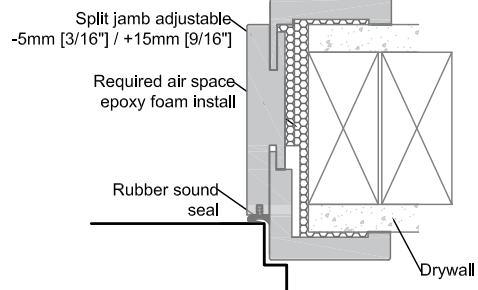
www.bartelsdoors.com / trademark
 Contact Phone: 954.924.6137

CUSTOMER:
ESTIMATE NUM.:
PROJECT NAME:
PREPARED BY: C. ANDRYKA
ORIGINAL PREPARED DATE: 07.JULY.2020
Please carefully review drawings for accuracy including but not limited to the dimensions, hinge or sliding direction, handle models, door styles and finishes.
Copyright Bartels Doors Inc., all rights reserved. Reproduction or other use of these designs without written consent from Bartels Doors Inc. is prohibited.
technical drawings are subject to change without notice. All millimeter dimensions are exact and supersede inch conversions.



**7mm [1/4"] undercut includes min. 3mm [1/8"] gap at floor for seal/caulking below jamb legs

Door Detail



Technical drawings must be verified and approved in written form.
 BARTELS will not assume liability for the accuracy of these drawings!

Signature: _____	Date: _____
------------------	-------------