



SUPRA

ST.1009.SU



Find A Dealer Online At
www.mwe-na.com



SUPRA ST.1009.SU

The Supra sliding doors system is exclusively for wood door leaves. The Supra wheel is installed at the top of the door leaf. The door thickness should be between 1" - 3.5" to allow for the door to glide easily and without damage. The Supra sliding door system can be mounted to either the wall, ceiling to attached to glass.

Technische Details:

Download technical drawings and generate specifications online using



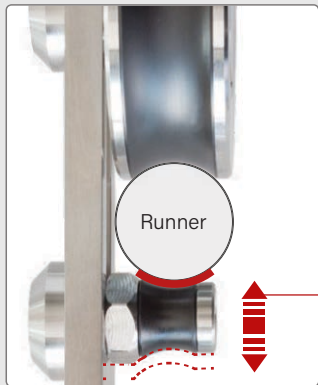
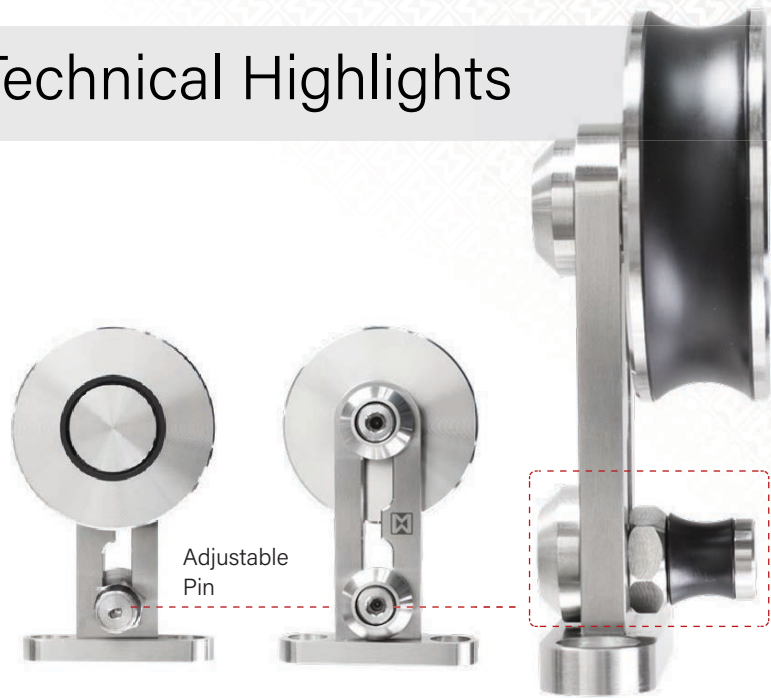
Overview

- + Suitable for wood or mirrored doors
- + Mounting on the top of the door leaf
- + Door thickness between 1" - 3.5"
- + Available with MWE Soft-Stop
- + Available with synchronization
- + Can carry door weight of 297 lbs. per 2 wheels



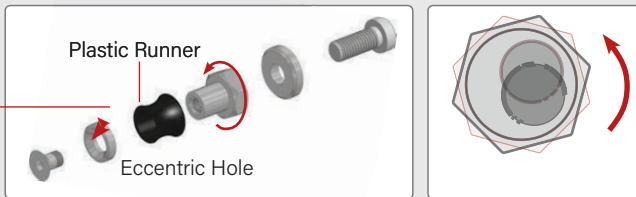
Find A Dealer Online At
www.mwe-na.com

Technical Highlights



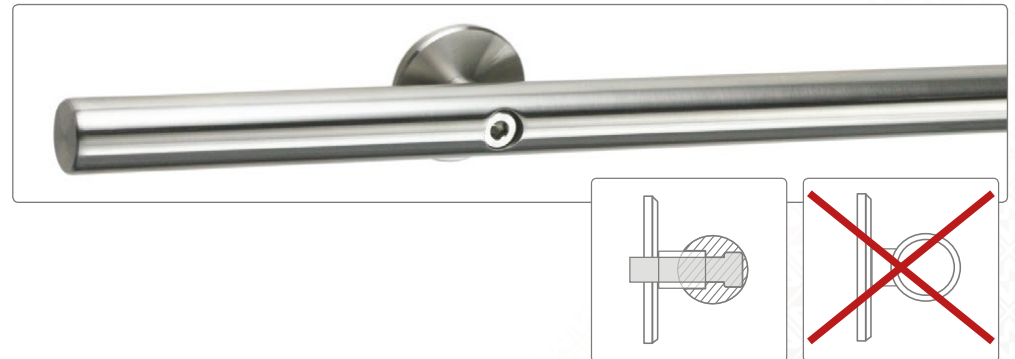
ADJUSTABLE HEADLOCK

- + High stability due to components made of solid stainless steel
- + Smooth sliding guaranteed
- + Fully adjustable due to the eccentric hole

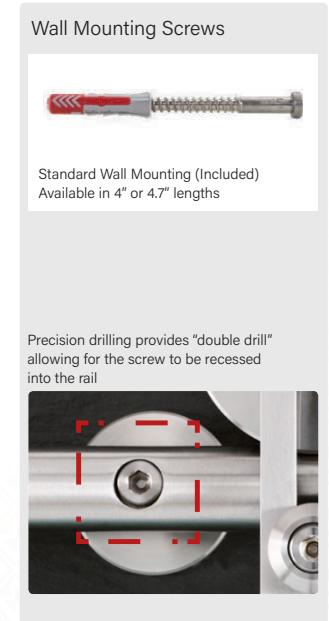
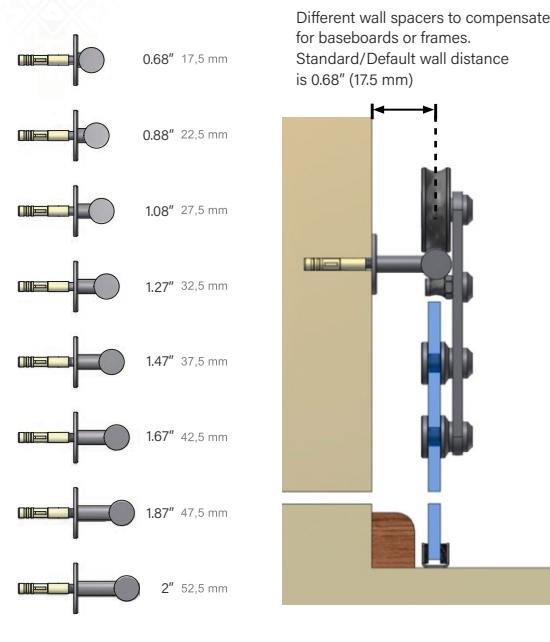
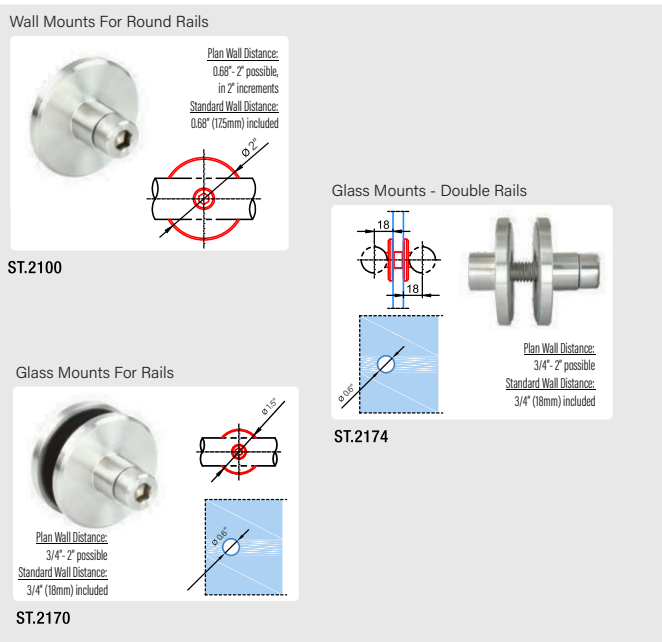
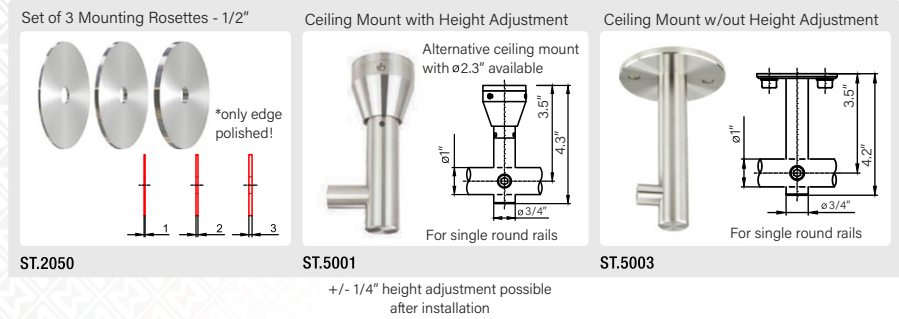


SLIDING RAILS ARE MADE OF SOLID STAINLESS STEEL

- + Very quiet movement and zero resistance while sliding
- + High load capacity of the entire system



Find A Dealer Online At
www.mwe-na.com



Technische Details:
 Download technical drawings
 and generate specifications online
 using **ARCAT**

Find A Dealer Online At
www.mwe-na.com



Find A Dealer Online At
www.mwe-na.com